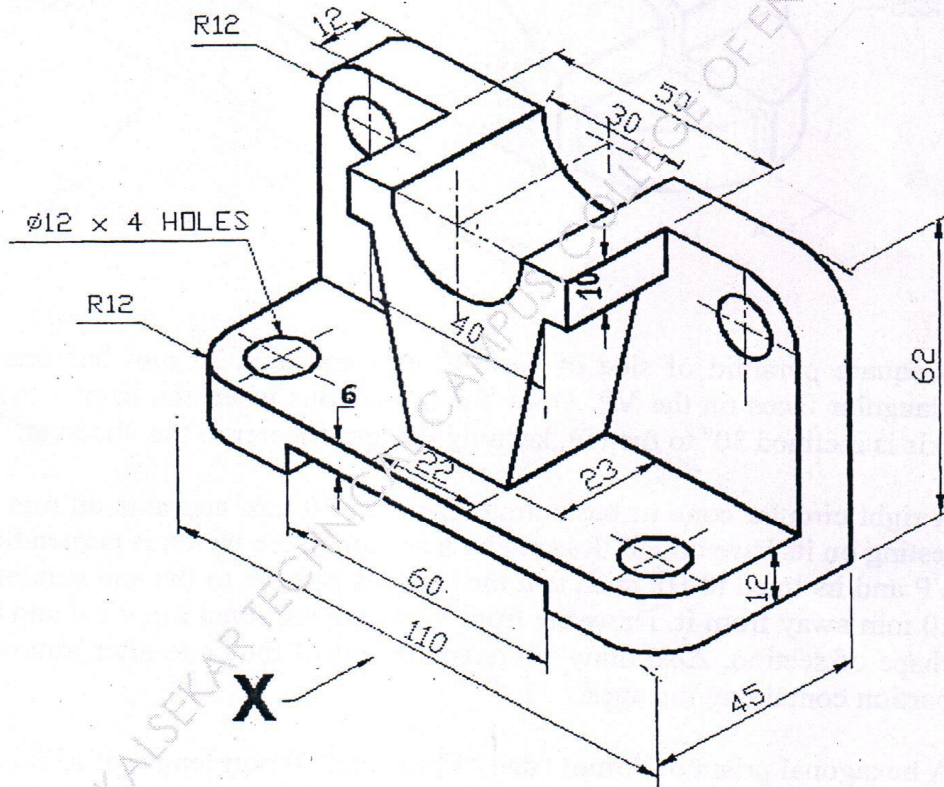


Question number 1 is compulsory.
Answer any three from the remaining five.
Figures to the right indicate full marks.
Use first angle projection method only.

- Q1 a) Draw an involute of a circle of 60 mm diameter. Also draw the normal and tangent at a point on the curve at a distance of 120 mm from the centre of the circle. [6]
- b) The pictorial view of a machine part is given in the figure .Draw the following views
 - i) Front View [5]
 - ii) Top view [4]



- Q2 Figure given below shows the pictorial view of an object. Draw to full scale the following views
 - i) Sectional front view(section AA) [5]
 - ii) Top view [4]
 - iii) Left hand side view [4]
 Insert 10 major dimensions [2]

[TURN OVER