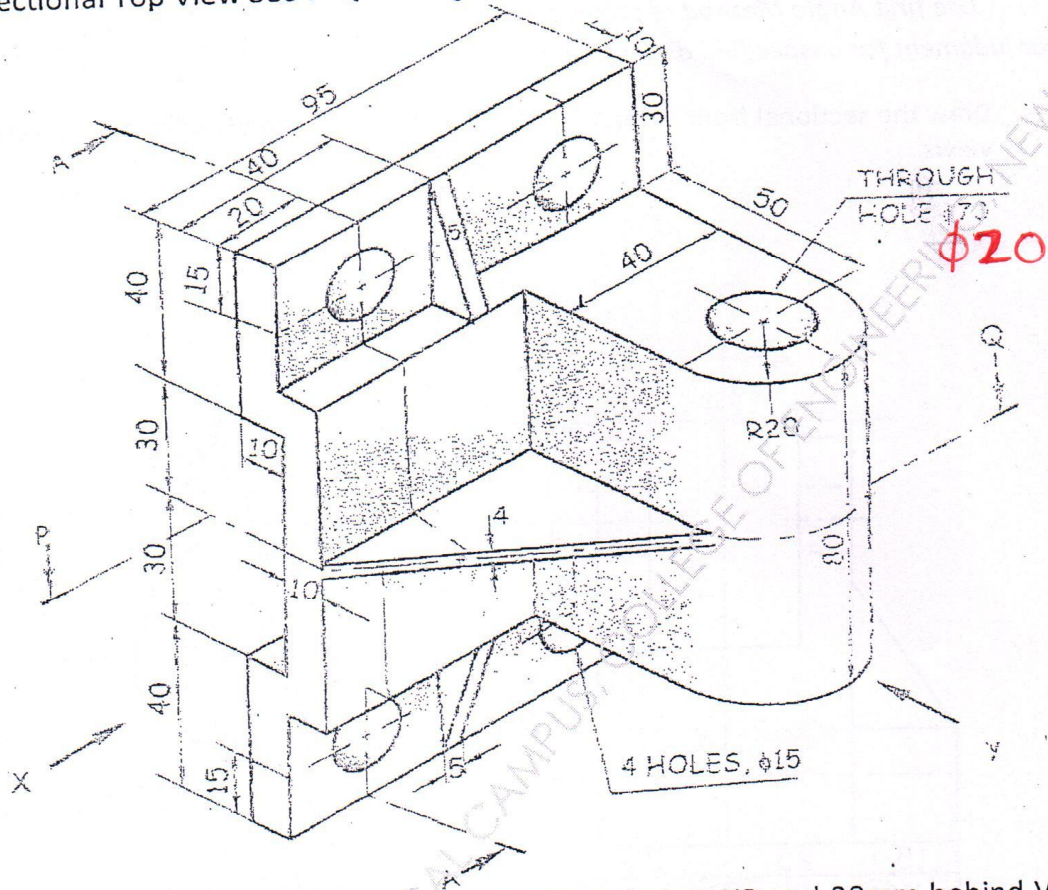


Q2

Fig. shows isometric view of a block. Draw sectional front view section A-A, Sectional Top View Sec-P-Q and Right hand side view. 15



- Q3 a One end of a line AB (TL = 80 mm) is 10mm below HP and 20mm behind VP. The line is inclined 30 degrees to HP and 45 degrees to VP. Draw the projections of line AB when it is in third quadrant. 8
- b Construct an Ellipse by concentric circle method. Take Major Axis = 100mm and Minor axis = 70mm. 7
- Q4 A right circular cone of diameter 60mm and the axis 75mm is lying on VP on one of its end generators. Draw projections of the cone when the front view of axis is inclined 45 degrees to HP. 15
- Q5 a Hexagonal pyramid of base edge 30 mm and axis 60mm is resting on HP with an edge of base is parallel to VP. It is cut by a section plane inclined 45 degrees to VP and passing through a point 10 mm away from the axis. Draw the sectional Front View, Top View and True shape of the section. 12