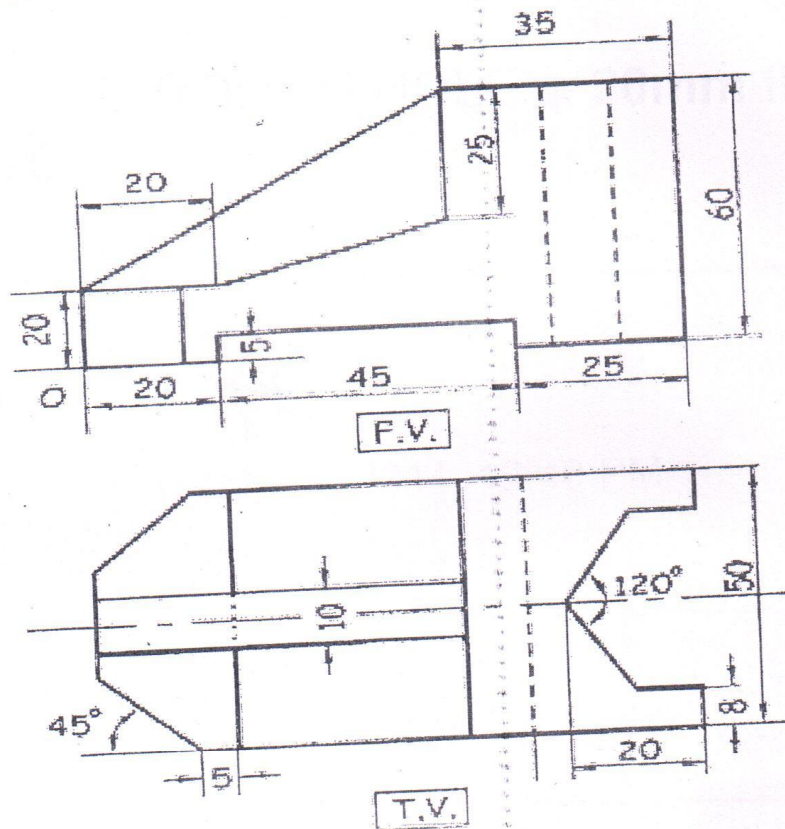


b Draw free Hand sketches of the following (Two Views) 3

- a) Square Nut
- b) Castle Nut.

Q6 Pentagonal prism of side 30 mm and axis 60 mm is resting on HP on its base with one of its base edge parallel to VP. It is cut by a section plane inclines 60 degrees to HP and passes through a point 25 mm from the top surface on the axis. Draw the projections and develop the lateral surface of the retained portion of the prism. 15

Q7 a Draw the Isometric View of the Two views given using natural Scale. 12



b Draw free Hand sketches of the following (Two Views) 3

- a) Hexagonal Bolt
- b) Eye Foundation bolt