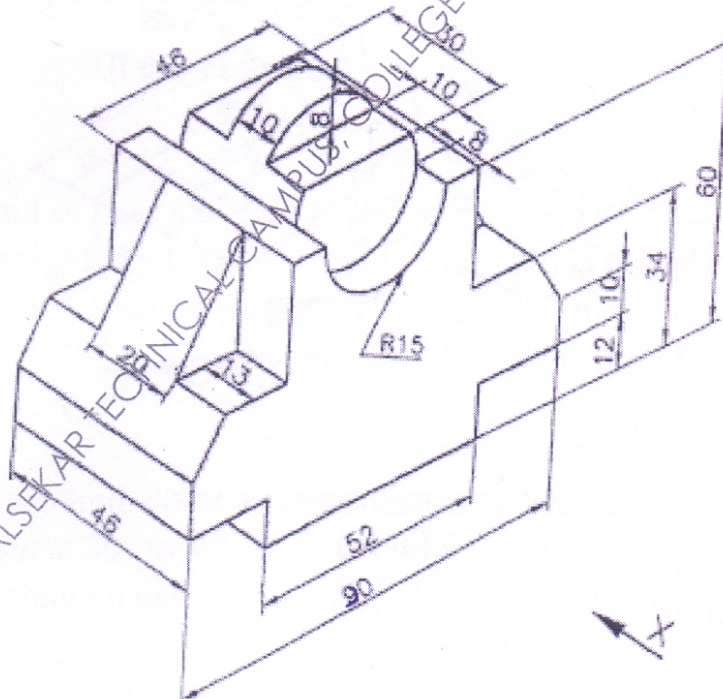


- N.B.:** (1) Question No.1 is **compulsory**. Solve **any Three** out of remaining **Five** questions.
 (2) Use your own **judgment** for **any unspecified dimension**.
 (3) Use **first angle** method only.
 (4) Retain **all construction lines**.
 (5) **Figures** to the **right** indicate **full marks**.

1. (a) A circle of 60mm diameter rolls on a straight line without slipping. Draw the locus of a point 'P' for complete revolution of the circle. The point 'P' is 38mm above the straight line and towards the right of vertical centre line of the circle. 6
- (b) Figure 1 shows pictorial view of an object. Draw : 4
- (i) Front view 4
- (ii) Top view 1
- (iii) Dimension the views



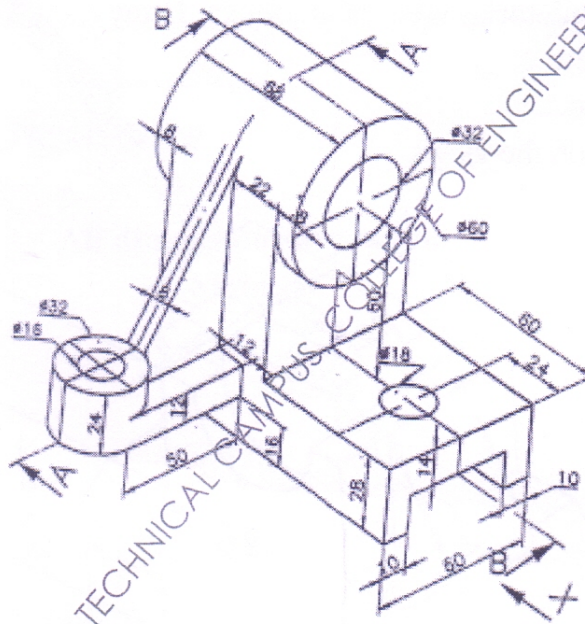
All dimensions are in mm
 Figure no. 1

TURN OVER

Q.P. Code : 530405

2

2. A pentagonal pyramid of 28mm. edge of base and 60 mm length of axis has a 28mm. edge on the H.P. The axis is inclined at 35° to H.P. and 45° to V.P. Draw the projections. **15**
3. Figure 2 shows pictorial view of an object. Draw :
(i) Sectional Front View along A - A. **5**
(ii) Sectional Left hand side view along B - B. **5**
(iii) Top View **4**
Dimension the views (**any four**) **1**

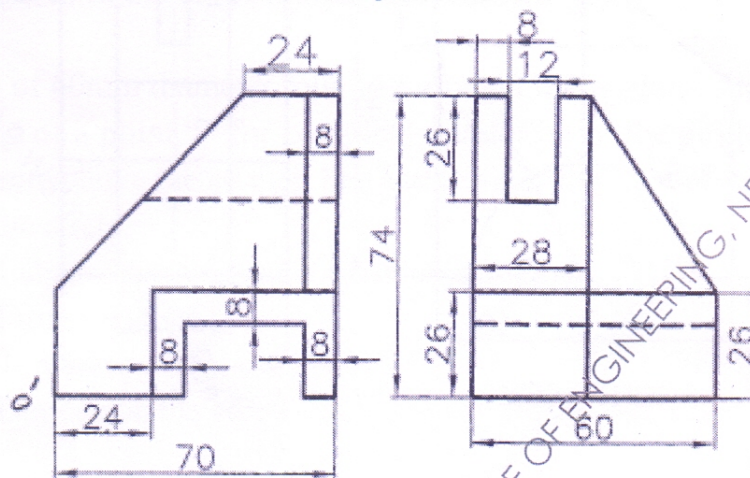


All dimensions are in mm

Figure 2

TURN OVER

4. (a) The distance between the end projectors of a line AB is 60mm. The end A is 25mm above H.P. and 45mm in front of V.P., while the other end B is 60mm above H.P. and 15mm in front of V.P. Draw projections and find the true length and also inclination of the line with H.P. and V.P. 9
- (b) Figure 3 shows two views of an object. Draw isometric view of the object. 6



All dimensions are in mm

Figure 3

5. A square pyramid of base side 25mm and altitude 50mm rests on its base on the HP with two sides of the base parallel to VP. It is cut by a plane bisecting the axis and inclined at 30° to the base. Draw front view, sectional top view and true shape of the section. Also draw the development of the lower part of the pyramid. 15
6. (a) A cylinder with 50mm diameter of its base and axis measuring 70mm has its axis inclined at 30° to VP. Draw the projections of the cylinder when the solid is resting on one of the points of the circumference of the base on VP. 6

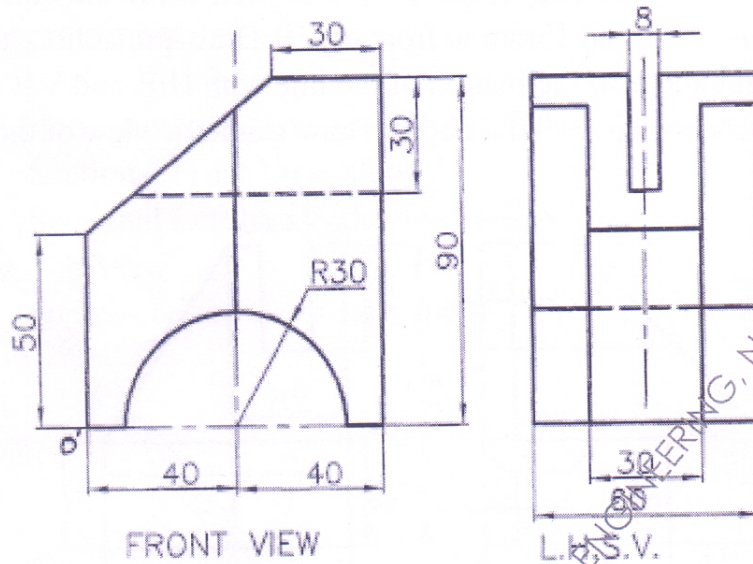
TURN OVER

Q.P. Code : 530405

4

(b) Draw isometric projection using natural scale. Refer Figure No.4.

9



All dimensions are in mm
Figure 4

MUPD16025 ANJUMAN-H-ISLAM'S KALSEKAR TECHNICAL CAMPUS, COLLEGE OF ENGINEERING, NEW PANVEL 08-06-2016 09:36:37